

LALA

MOOME COLLECTION



LALA

PRODUCT INFORMATION

FEET: RECESSED FEET (2" - 2 3/4" H)

OPTION: FINISH W/ PATCH IN LEATHER W509XX :
AVAILABLE IN W50920, W50922, W50955, W50990



CONNECTED ITEMS: THE SINGLE SEATS CAN BE CONNECTED TO EACH OTHER WITH CONNECTING PIECES

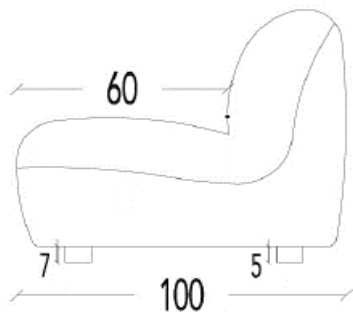
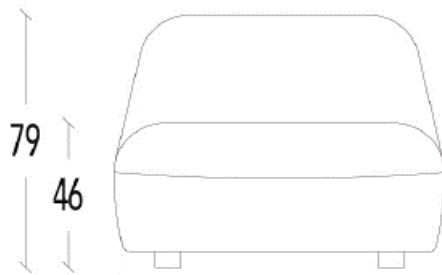
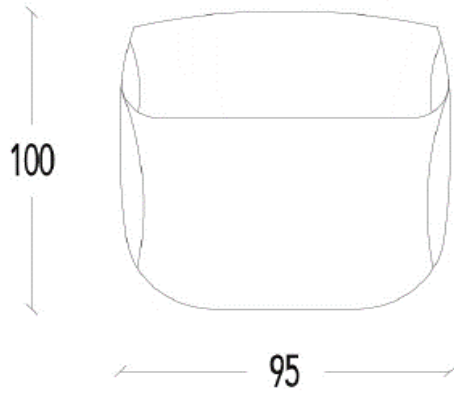
FINISH NOTES

NOT AVAILABLE IN FABRICS:

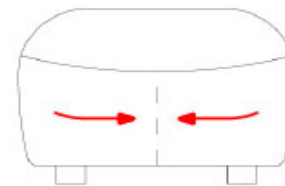
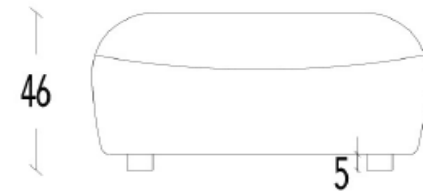
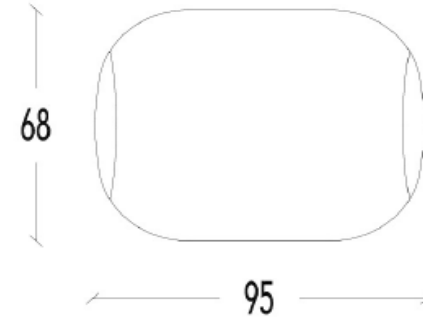
ST0206XX
ST02004XX
ST0207XX
ST0502XX

NOT AVAILABLE IN ANY LEATHER

10-10K



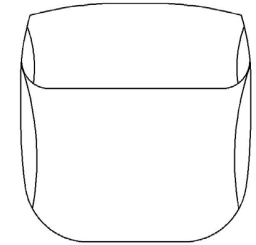
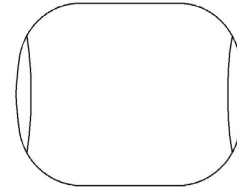
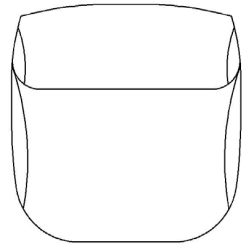
90



ATTENTION :
Thread direction may cause color difference !

LALA

H: 31 1/8"
SH: 18 1/8"



W:

37 1/2

37 1/2

37 1/2

H: 18 1/8" D:26 3/4"

Article Code	10	90	10K
Description	Chair	Ottoman	Chair w/ Attachment Element to Connect Ottoman & Seat Together

COM Yardage	4.00	2.81	4.00
-------------	------	------	------

Fabric	
COM	
ST01	
ST02	
ST03	
ST05	
ST06	

NOT AVAILABLE IN FABRICS:

ST0206XX, ST02004XX, ST0207XX, ST0502XX