

LUNO

MOOME COLLECTION



LUNO

PRODUCT INFORMATION

OPTION: LUNO (COMPLETE LEATHER or FABRIC) = STANDARD

LUNO 8 (FABRIC/LEATHER: TWO TONED)=

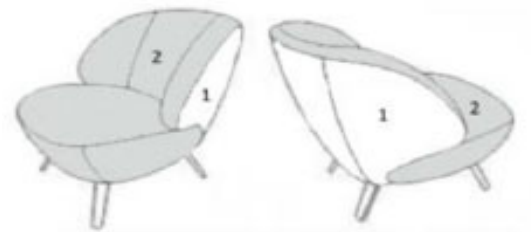
ADD UPCHARGE TO FABRIC PRICE



WHITE IS FABRIC = #1 POSITION
GREY IS LEATHER = #2 POSITION

LUNO 7 (FABRIC/FABRIC: TWO TONED)=

ADD UPCHARGE TO HIGHER FABRIC PRICE



WHITE IS FABRIC = #1 POSITION
GREY IS FABRIC = #2 POSITION

FEET: ITEM 54 STANDARD IN RAL 9005 ; HEIGHT FOR FEET 7"
ITEM 54 STANDARD IN RAL 9005 ; OPTIONAL - HEIGHT FOR FEET 8 1/4"

MF1-18-ZW

MF2-21-ZW



LUNO

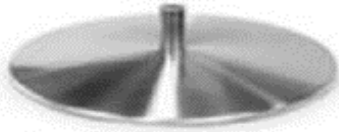
PRODUCT INFORMATION

BASE OPTIONS FOR ITEM 54V:

PRICING:

PHOTO:

NO UPCH TMF1-GB ROUND SWIVEL BASE IN CHROME



UPCH TMF1-ZW ROUND SWIVEL BASE IN MATTE BLACK



UPCH KMF8-ZW 4 POINT BASE IN MATTE BLACK



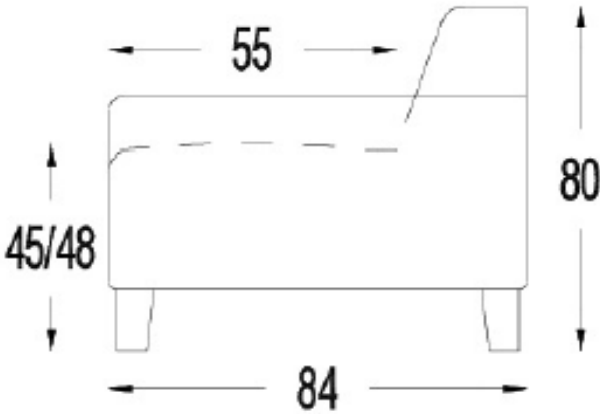
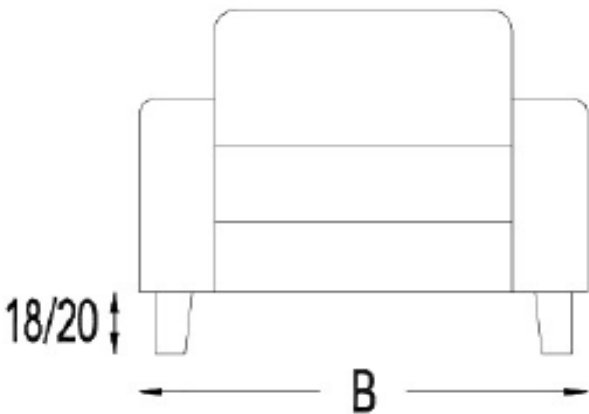
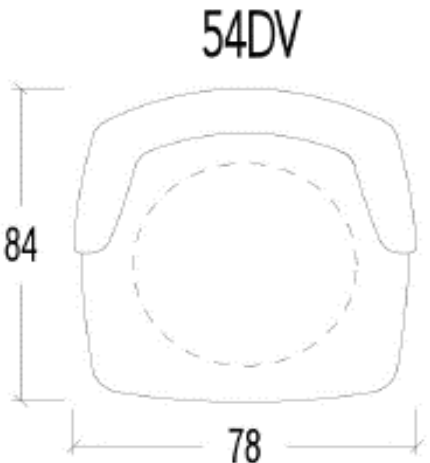
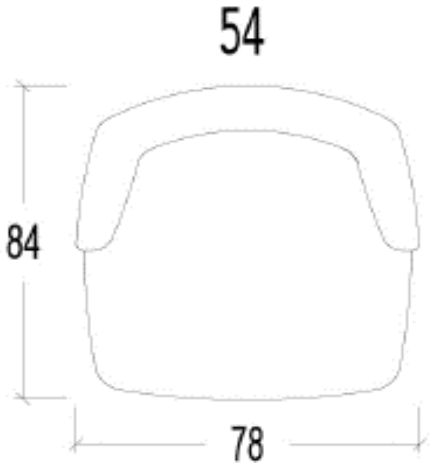
UPCH KMF8-RVS 4 POINT BASE IN CHROME



LUNO

PRODUCT INFORMATION

DIMENSIONS IN CM

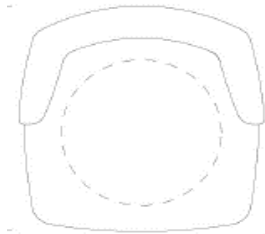


PRICING EFFECTIVE 01.01.2023

REVISED 08.16.2024

LUNO

ELEMENT
 SH: 17 3/4" - 18 7/8"
 SD: 21 5/8"



W:	30 3/4"	30 3/4"
H:	31 1/2"	31 1/2"
D:	33"	33"

Article Code	54	54DV
Description	Fixed Chair	Swivel Chair

COM Yardage	0.00	0.00
--------------------	------	------

Fabric	
COM	
ST02	
ST03	
ST05	
ST06	

COL Sqft	0.00	0.00
-----------------	------	------

LEATHER	Retail
COL	
W4	
W6	

FABRIC SELECTION MUST BE TB117 CERTIFIED