

PESCARA

MOOME COLLECTION



PESCARA

PRODUCT INFORMATION

STANDARD: MANUAL HEADREST

OPTION: MOTORIZED HEADREST (UPCHARGE)

ARMREST: TO BE ORDERED SEPERATELY

COMFORT: STANDARD MEDIUM (M)

OPTION: HARD (H) - NO UPCHARGE

SIDE PANEL: UPCHARGE FOR UPHOSTERED PLATE ON FIXED OR MOTION ELEMENTS

FABRIC SIDE PANEL:

LEATHER SIDE PANEL

FEET: STANDARD HEIGHT 15CM

FINISH NOTES

NOT AVAILABLE IN LEATHERS:

W401XX

W429XX

W477XX

PESCARA

PRODUCT INFORMATION

LEG OPTIONS:

PRICING:

PHOTO:

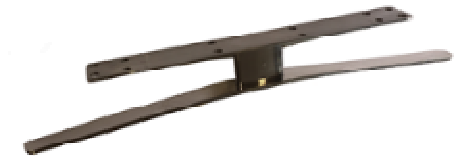
STANDARD **PO8-150-BR** BRONZE METAL LEGS
OPTION **PO8-150-ZW** BLACK RAL 9005 METAL LEGS
OPTION **PO8-150-CH** CHROME METAL LEGS
OPTION **PO8-150-RAL** RAL COLOR METAL LEGS



STANDARD **PO9-150-BR** BRONZE METAL LEGS
OPTION **PO9-150-ZW** BLACK RAL 9005 METAL LEGS
OPTION **PO9-150-CH** CHROME METAL LEGS
OPTION **PO9-150-RAL** RAL COLOR METAL LEGS



STANDARD **SL1-150-BR** BRONZE METAL LEGS
OPTION **SL1-150-ZW** BLACK RAL 9005 METAL LEGS
OPTION **SL1-150-CH** CHROME METAL LEGS
OPTION **SL1-150-RAL** RAL COLOR METAL LEGS



PESCARA

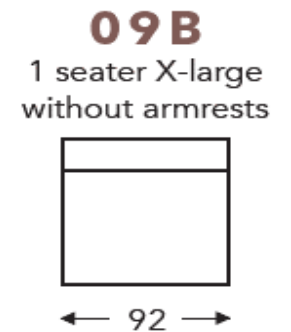
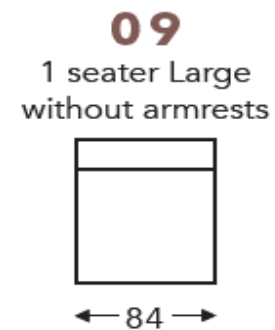
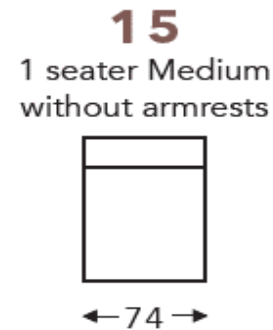
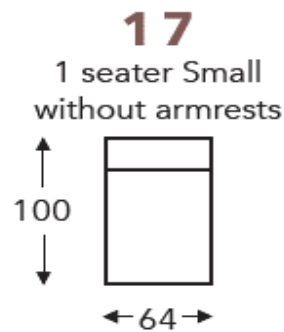
PRODUCT INFORMATION

DIMENSIONS IN CM

ARMS



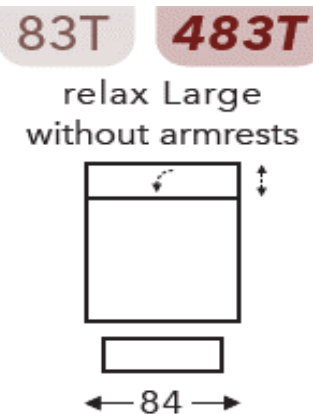
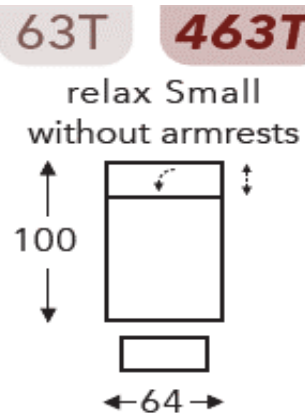
FIXED SEATS



MOTORIZED SEATS

Manual headrest

Electric headrest



PESCARA

PRODUCT INFORMATION

DIMENSIONS IN CM

CHAISE

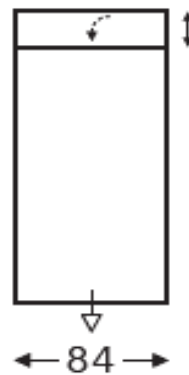
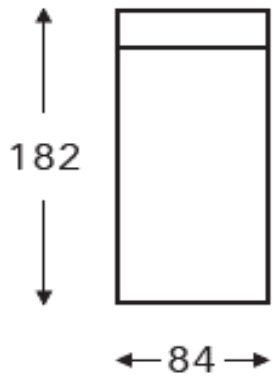
Manual headrest

Electric headrest

55

55E

455E



CORNER

BUMPER END

40

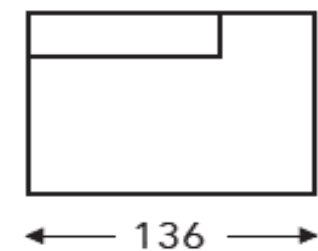
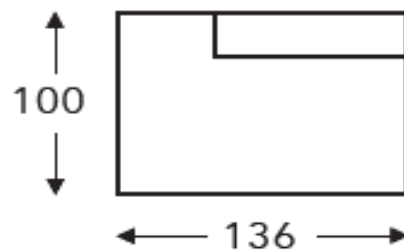
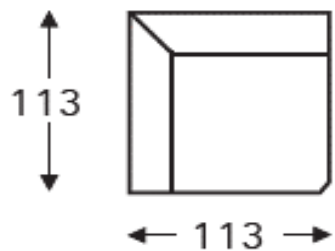
Corner

51

Endelement left

52

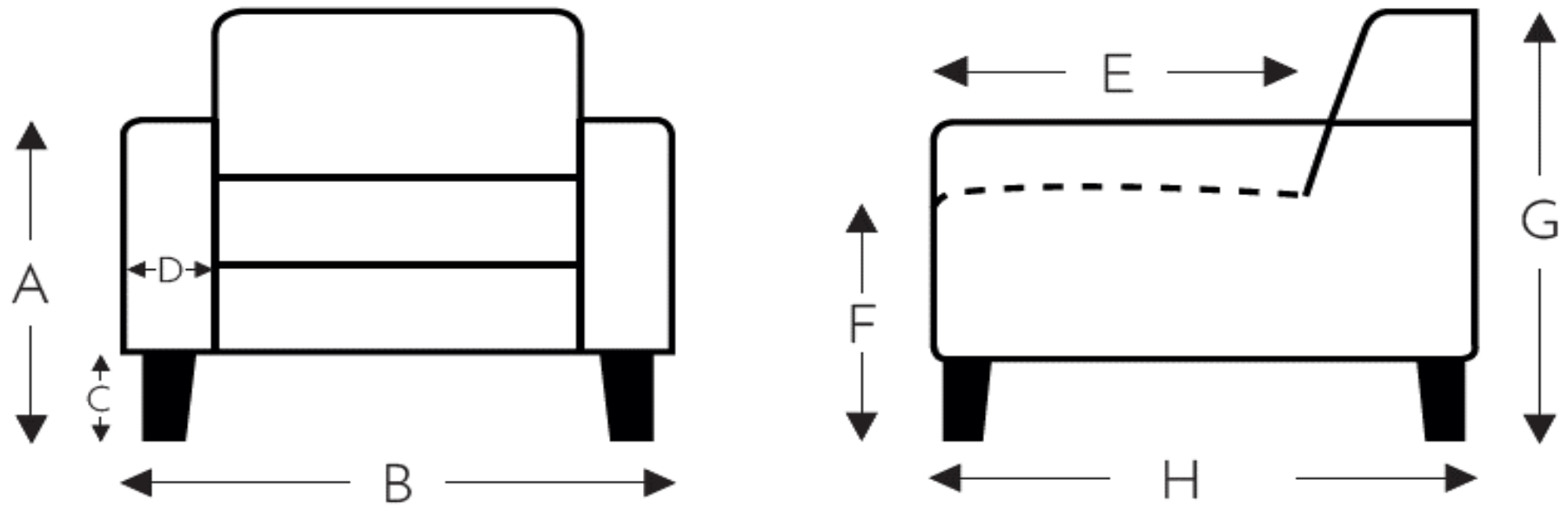
Endelement right



PESCARA

PRODUCT INFORMATION

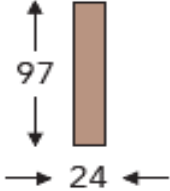
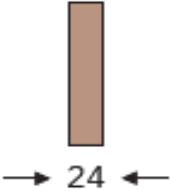
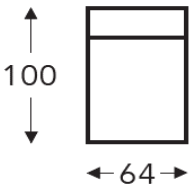
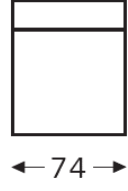
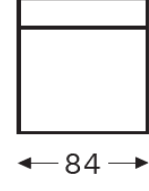

DIMENSIONS IN CM



(Tolerance on dimensions $\pm 3\%$)

- A. Arm height: 59 cm
- B. Width : variable per elements
- C. Feet height: 15 cm
- D. Arm width: 24 cm
- E. Seat dept: 57 cm
- F. Seat height: 46 cm
- G. Back height: 95 cm
- H. Dept: 100 cm

PESCARA

ELEMENT SH: 18 1/8"						
	W: 9 1/2"	9 1/2"	25 1/4"	29 1/8"	33"	36 1/4"
	H: 23 1/4"	23 1/4"	37 1/2"	37 1/2"	37 1/2"	37 1/2"
	D: 38 1/8"	38 1/8"	39 3/8"	39 3/8"	39 3/8"	39 3/8"

Article Code	AL1	AR1	17	15	9	09B
Description	Left Armrest	Right Armrest	Armless Fixed Single Seat	Armless Fixed Single Seat	Armless Fixed Single Seat	Armless Fixed Single Seat

COM Yardage	1.85	1.85	3.47	3.99	4.13	4.53
-------------	------	------	------	------	------	------

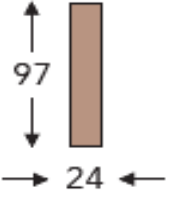
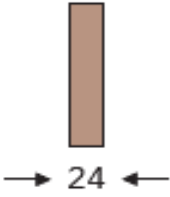
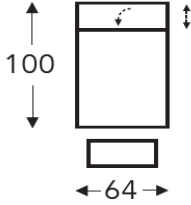
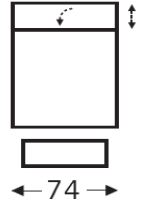
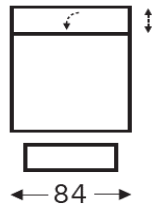
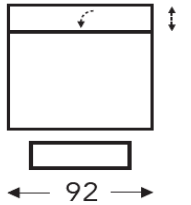
Fabric						
COM						
ST02						
ST03						
ST05						
ST06						

COL Sqft	26.91	26.91	58.13	64.05	69.10	78.04
----------	-------	-------	-------	-------	-------	-------

Leather						
COL						
W4						
W6						

NOT AVAILABLE IN LEATHERS: W401XX, W429XX , W477XX

PESCARA

ELEMENT SH: 18 1/8"						
	W: 9 1/2"	9 1/2"	25 1/4"	29 1/8"	33"	36 1/4"
H: 23 1/4"	23 1/4"	37 1/2"	37 1/2"	37 1/2"	37 1/2"	
D: 38 1/8"	38 1/8"	39 3/8"	39 3/8"	39 3/8"	39 3/8"	

Article Code	AL1	AR1	463T	473T	483T	483BT
Description	Left Armrest	Right Armrest	Motorized Reclining Armless Single Seat w/ Motorized Headrest	Motorized Reclining Armless Single Seat w/ Motorized Headrest	Motorized Reclining Armless Single Seat w/ Motorized Headrest	Motorized Reclining Armless Single Seat w/ Motorized Headrest

COM Yardage	1.85	1.85	4.02	4.80	5.06	5.95
-------------	------	------	------	------	------	------

Fabric						
COM						
ST02						
ST03						
ST05						
ST06						

COL Sqft	26.91	26.91	73.73	80.08	84.60	91.06
----------	-------	-------	-------	-------	-------	-------

Leather						
COL						
W4						
W6						

NOT AVAILABLE IN LEATHERS: W401XX, W429XX, W477XX

PESCARA

ELEMENT SH: 18 1/8"						
	W:	44 1/2"	53 1/2"	53 1/2"	33"	33"
	H:	37 1/2"	37 1/2"	37 1/2"	37 1/2"	37 1/2"
	D:	44 1/2"	39 3/8"	39 3/8"	71 5/8"	71 5/8"

Article Code	40	51	52	55	455E
Description	Corner	Left Side Facing Bumper End Sofa	Right Side Facing Bumper End Sofa	Armless Chaise	Motorized Extending Armless Chaise w/ Motorized Headrest

COM Yardage	1.85	1.85	4.02	4.80	5.06
-------------	------	------	------	------	------

Fabric	
COM	
ST02	
ST03	
ST05	
ST06	

COL Sqft	26.91	26.91	26.91	80.08	84.60
----------	-------	-------	-------	-------	-------

Leather	
COL	
W4	
W6	

NOT AVAILABLE IN LEATHERS: W401XX, W429XX, W477XX